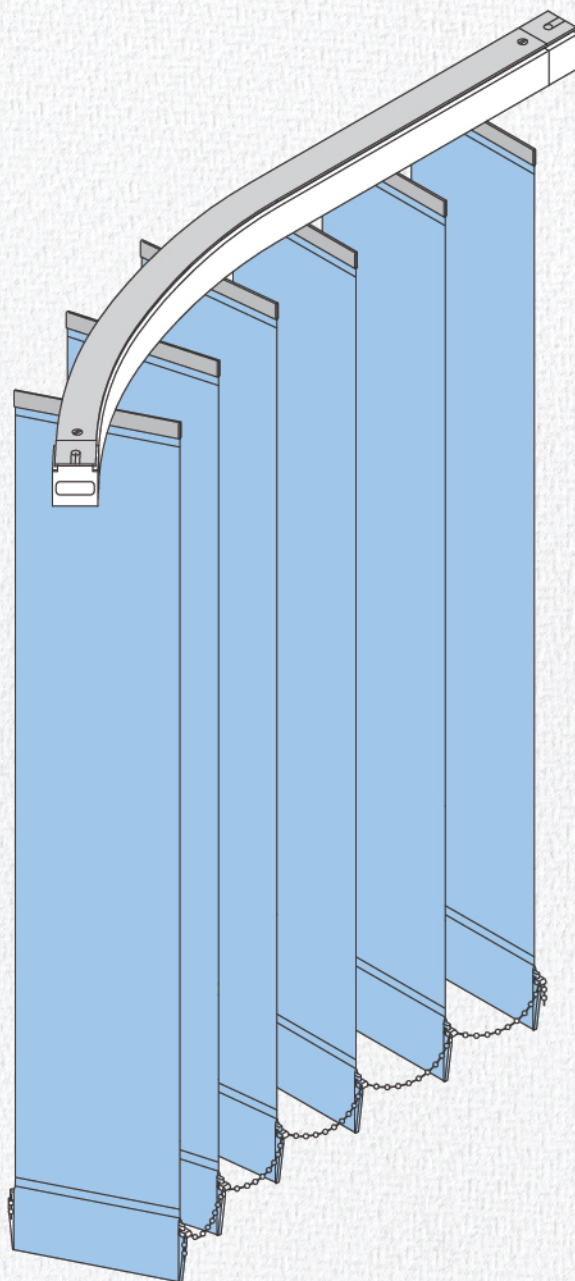


Euro Systems®

Vertical Blind

Technical Datasheet



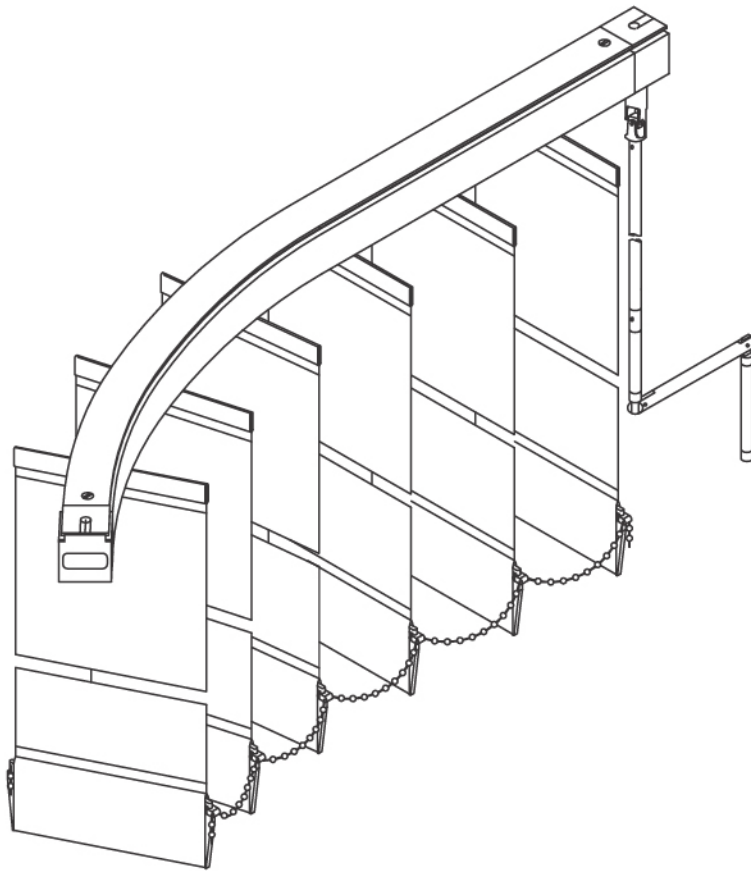


Euro Systems®

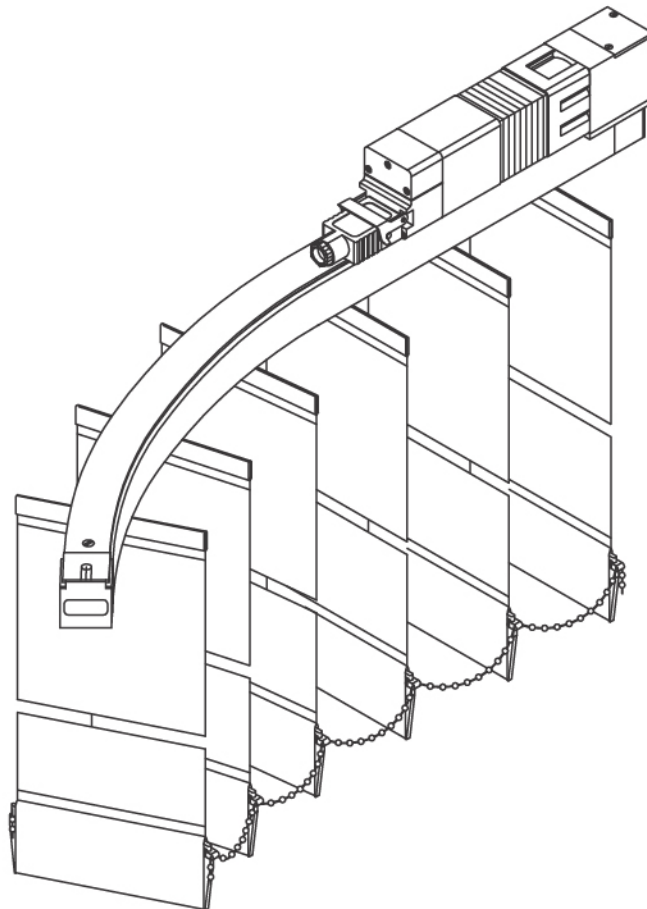
Vertical Blind

Technical Datasheet

sundrape
VERTICAL BLINDS
mounting instructions
Corvus
Rail straight or curved



CRANK CONTROL



ELECTRIC DRIVE



Operating Instructions:

The louvre curtain is moved and turned by the lateral crank. Rotation of the louvers can be done only when the lateral end position is reached, i.e. when the louvre curtain is opened. Continued turning of the crank when the final position is reached risks destruction of the blinds.

Electric blinds:

- ▶ The end position of electric blinds is set ex works. They automatically move into the right position when connected.
- ▶ Always do the connection of electric blinds as per enclosed connection diagram.
- ▶ Safety guidelines must be observed!