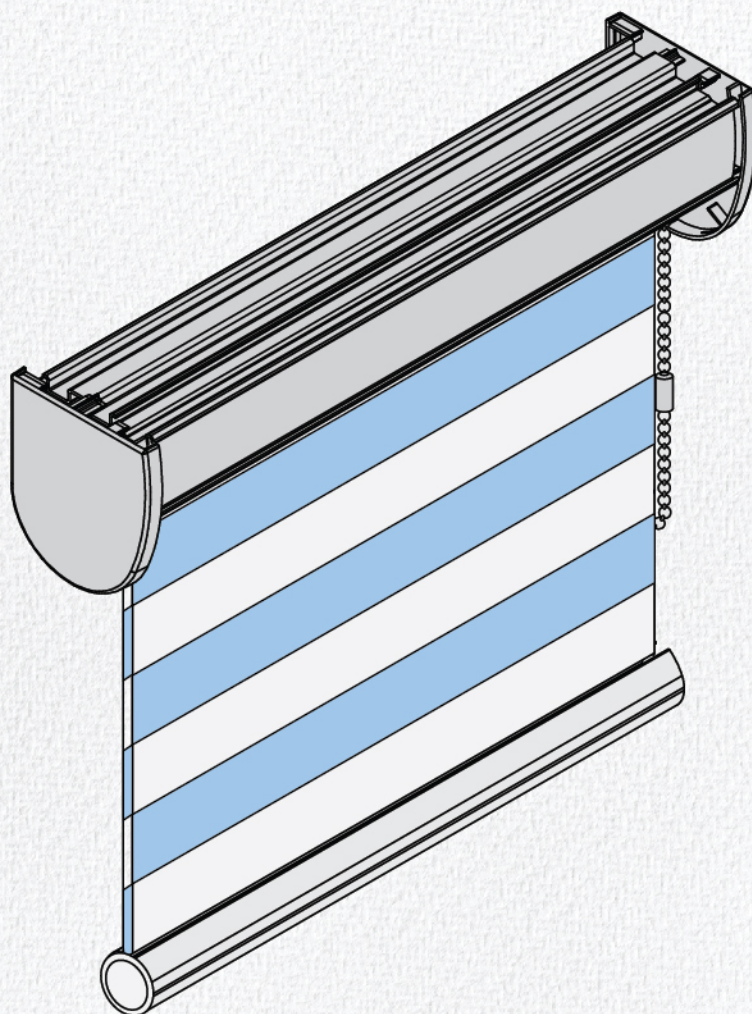
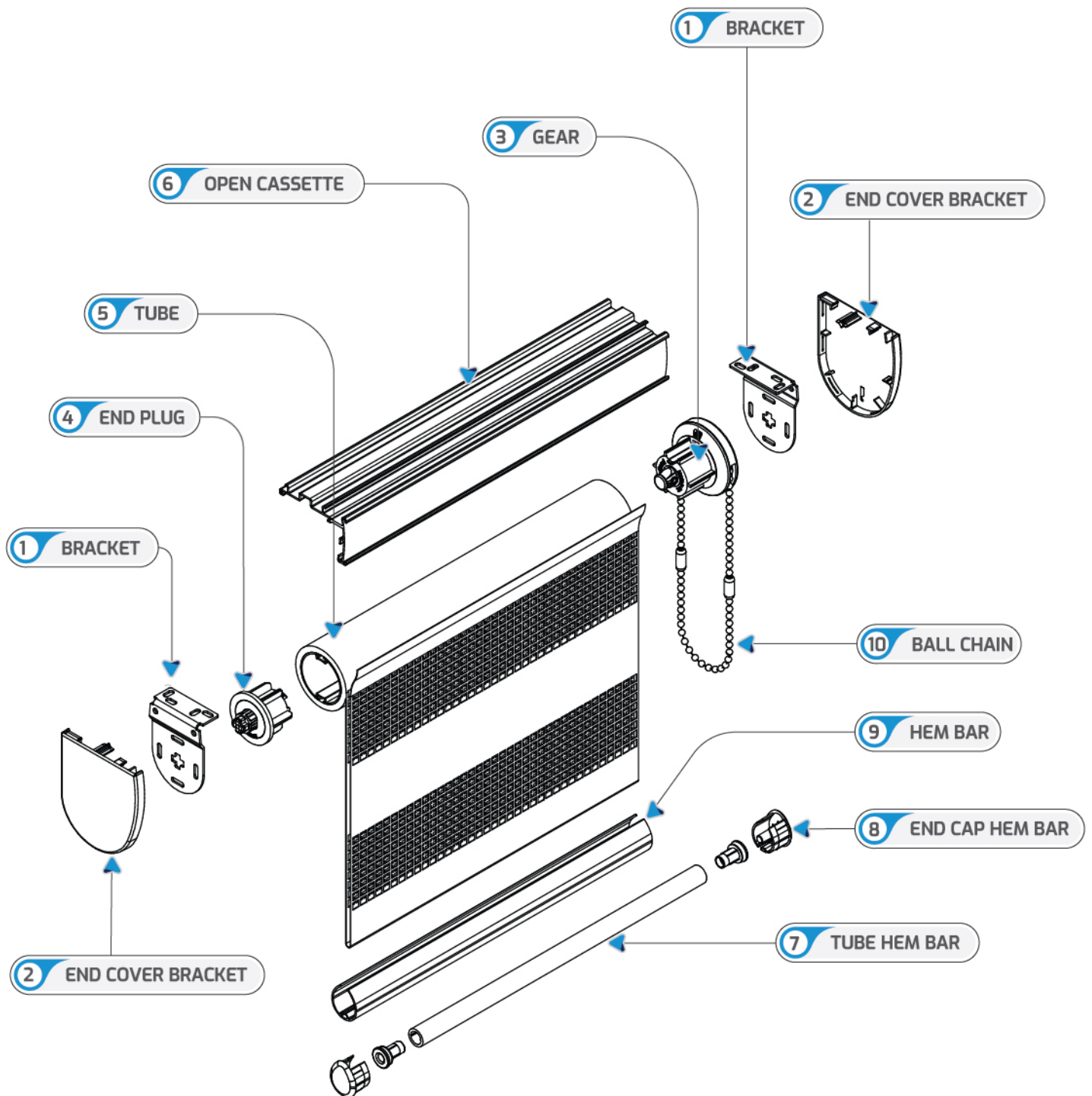
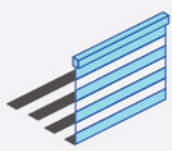


Euro Systems®

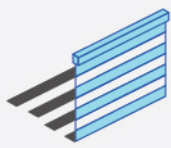
# Salire® Vision Blind

Technical Datasheet





Note. The illustration above might change subject to design improvements



## System Specification Type Wooden Venetian Manually Operated Vision blind

### ▶ **Operator:**

Patented universal side control operating unit featuring stainless steel wrap spring clutch mechanism. The control end unit features a locking feature to secure the unit into the bracket.

### ▶ **Bracket:**

Stove enameled finish to galvanized steel. The mounting brackets are designed to allow top, face or side fix installations. The bracket design enables quick and simple installation whilst minimizing the light gap between the blind and any recess. Universal mounting bracket 96 mm x 54 mm. Optional colours can be ordered.

### ▶ **Bracket mounting**

Ceiling, wall or recess mounting.

### ▶ **Edge clearances:**

Drive-end: 21 mm, idle-end: 14 mm

### ▶ **Sill Depth Requirement:**

32 mm tube – 60mm, 40 mm tube – 68mm

### ▶ **System configuration:**

Open cassette of extruded aluminum 40 mm x 65 mm. Precision winding shaft of extruded aluminum (T6), Ø32 mm or Ø40 mm. The tube is extruded with one fabric-mounting channel designed to support the blind fabric with spline. Extruded aluminium tube is used to ensure a high degree of torsional strength. The design allows for full integration of selected fabric and also provides maximum resistance to tube deflection.

Exposed oval hem bar (25 mm x 28 mm)

Mounting spline extruded vinyl with asymmetrical locking channel and embossed fabric guide for use with 32 mm and 40 mm outer diameter tube.

All system parts used are of high-quality, ageing resistant and UV resistant materials.

### ▶ **Ball chain:**

Steel ball chain (Ø4.5 x 6 mm) nickel plated or stainless steel.

### ▶ **Maximum dimensions:**

Max width 240 cm. Drop depending on fabric choice

### ▶ **System configuration:**

For both the standard open cassette and the curved closed cassette a small piece of fabric can be inserted either with matching or different fabric. Made of the opaque stripes.

### ▶ **Closed Cassette**

All component parts and fabric are enclosed within a rounded fascia resulting in a compact, robust system with a streamlined appearance. Fast, multiple installations can be achieved using top fix or face fix brackets that can be fitted along the whole length of the cassette. The snap fix fascia can be white, cream, grey or black or with a matching fabric profile.